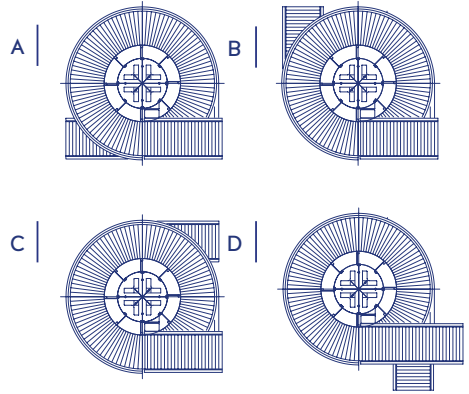
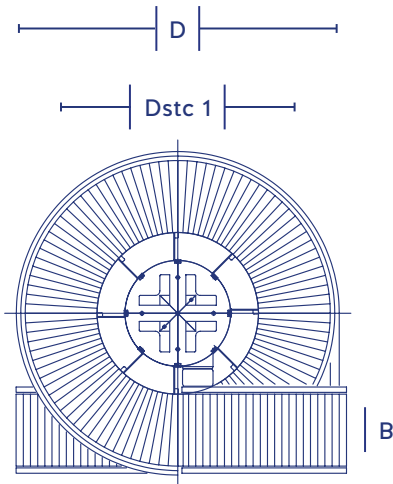


## Facts & Measurements

The APOLLO Spiral Conveyors are of modular design and are available in several standard versions to accommodate a wide range of loads and applications. The Spiral Conveyors can go up or down and can be made reversible. All models can have extended infeed or outfeed, making Spiral Conveyors easy to fit in most lay outs.



## Configurations

### Standard machine

Part	Specifications
Base structure	Coated aluminium pipe with galvanized cross beams
Chain configuration	Chrome plated chain
Plating	Coated in specified RAL colour

### Stainless steel dry use

Part	Specifications
Base structure	Stainless steel pipe with stainless steel cross beams
Chain configuration	Chrome plated chain
Plating	Stainless steel

### Stainless steel wash down

Part	Specifications
Base structure	Stainless steel pipe with stainless steel cross beams
Chain configuration	Chrome plated chain with stainless steel bearings
Plating	Stainless steel

## Models & Types\*

Type	Dstc 1	D	B
2200 - 760	2200 mm	3060 mm	760 mm
3000 - 900	3000 mm	4000 mm	900 mm

\*Other types on request