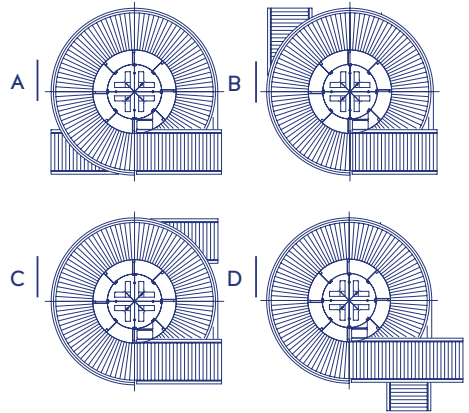
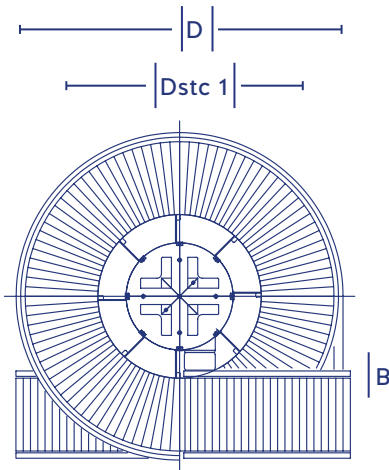


Facts & Measurements

The APOLLO Spiral Conveyors are of modular design and are available in several standard versions to accommodate a wide range of loads and applications. The Spiral Conveyors can go up or down and can be made reversible. All models can have extended infeed or outfeed, making Spiral Conveyors easy to fit in most lay outs.



Configurations

Standard machine

Part	Specifications
Base structure	Coated aluminium pipe with galvanized cross beams
Chain configuration	Chrome plated chain
Plating	Coated in specified RAL colour

Stainless steel dry use

Part	Specifications
Base structure	Stainless steel pipe with stainless steel cross beams
Chain configuration	Chrome plated chain
Plating	Stainless steel

Stainless steel wash down

Part	Specifications
Base structure	Stainless steel pipe with stainless steel cross beams
Chain configuration	Chrome plated chain with stainless steel bearings
Plating	Stainless steel

Models & Types*

Type	Dstc 1	D	B
1200-300	1200 mm	1600 mm	300 mm
1300-400	1300 mm	1800 mm	400 mm
1500-400	1500 mm	2000 mm	400 mm
1600-500	1600 mm	2200 mm	500 mm
1600-600	1600 mm	2300 mm	600 mm
1700-600	1700 mm	2400 mm	600 mm
1800-650	1800 mm	2550 mm	650 mm